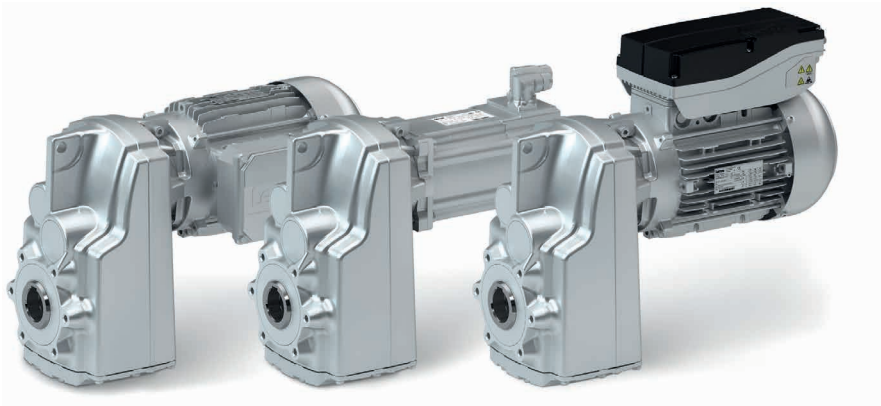


Efficient and slim-line.



Our slim-line shaft-mounted helical gearboxes boast high permissible radial forces, closely stepped ratios and low backlash.

They are available in 2-stage and 3-stage designs with a maximum torque of 5840 lbs.-in. and ratios of up to $i=500$ depending on your individual requirements.

Highlights

- Compact design saves on installation space required for the machine
- Solid shaft, hollow shaft and shrink disc for direct integration into the machine
- Low backlash at axial output optimizes efficiency
- High center distance provides more free space in your application

Technical data

Gearbox size		g500-S130	g500-S220	g500-S400	g500-S660
Rated torque	[lbs.-in.]	1150	1950	3540	5840
Ratio range		3 – 100	4 – 450	4 – 500	5 - 420
Hollow shaft dimensions	["]	1	1	1.25	1.375
	[mm]	25 x 50	25 x 50	30 x 60	35 x 70 40 x 80
Solid shaft dimensions	["]	1	1.25	1.375	1.5
	[mm]	25	25/30	30/35	40/45
Flange dimensions	[mm]	160	160	200	200 250

g500-S shaft-mounted helical geared motors

Gearbox

When used in conjunction with three-phase AC motors and servo motors, our shaft-mounted helical gearboxes form a compact, powerful drive unit. Numerous options at the input and output ends ensure that the drive can be easily and precisely adjusted to suit your application.

Designs

- With Lenze Smart Motor m300, rated torque of 15 lbs.-in. and 44 lbs.-in.
- With IE1 / IE2 three-phase AC motors according to the ErP Directive:
Power range 0.08 Hp to 12.3 Hp
- With inverter-optimized MF three-phase AC motors:
Power range 0.75 to 30 Hp
- With synchronous servo motors and asynchronous servo motors:
Power range: 0.33 to 12.3 Hp

Tailored to your individual ambient conditions

Gearbox with	Lenze Smart Motor	Three-phase AC motors	Servo motors
Enclosure EN 60529	IP55		IP54 / IP65
Energy efficiency class	IE1, IE2 or inverter-optimized		
Approvals	cURus, GOST-R, CCC and UkrSepro		
Climatic conditions			
Storage temperature	-30 to 60 °C (-22° to 140 °F)		
Operating temperature	-20 to 40 °C (-4° to 104 °F)		
Surface and corrosion protection			
OKS-G (primed)	1K primer		
OKS-S (small)	2K PUR top coat		
OKS-M (medium)	1K primer, 2K PUR top coat		
OKS-L (large)	2K EP primer, 2K PUR top coat		

Perfect mechatronic integration with the Lenze Smart Motor

- Covers a wide range of applications
- Reduces the number of different versions by up to 70 %
- Offers exceptional energy efficiency over a long service life
- Achieves greater productivity and maximum reliability

**Lenze
BlueGreen
Solutions**

g500:
min. 94% efficiency