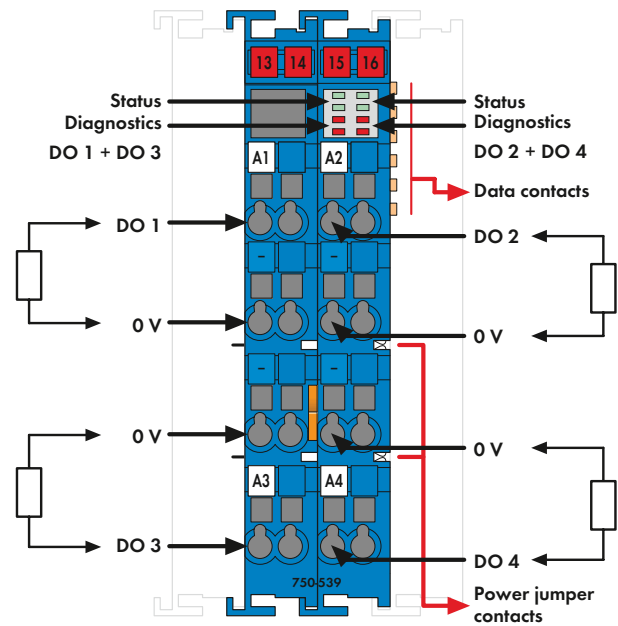


4-channel digital output; 24 VDC; valve; Intrinsically safe



The digital output module controls actuators in hazardous Zone 0+1 such as intrinsically safe valves. The WAGO-I/O-SYSTEM 750 must be installed either in Zone 2 or in a non-hazardous area. All outputs are electronically short-circuit-protected.

- LED displays:
- Green LED (output status)
 - Red LED (short circuit, wire breakage)

Field and system levels are electrically isolated.

Note:

The digital output module must only be operated via Ex i 24VDC power supply!
General information (e.g., installation regulations) on explosion protection is available in the WAGO-I/O-SYSTEM 750 manuals!

Description	Item No.	Pack. Unit
4DO 24 VDC Valve Ex i	750-539	1
Accessories	Item No.	Pack. Unit
Miniature WSB Quick marking system plain	248-501	50

Technical Data	
Number of digital outputs	4
Type of signal	24 VDC
Output characteristic	High-side switching
Type of load	resistive, inductive, lamps
Actuator connection	2-conductor
Switching frequency (max.)	100 Hz
Actuator supply voltage	24 VDC
Output current per channel	47 mA
Protection against incorrect wiring	short-circuit-protected
Field supply voltage	24 VDC via power jumper contacts (provided via Ex i supply $U_O = \max. 27.3 V$)
Current consumption, field supply (module with no external load)	10 mA
System supply voltage	5 VDC via data contacts
Current consumption, system supply	20 mA
Internal resistance R_i	290 Ω
Power consumption P max.	4.86 W (with an output current of 47 mA)
Power loss P_V	2.86 W (with an output current of 47 mA)
Isolation	$U_M = 375 V$ system/supply
Internal data width	4 bits In, 4 bits Out (diagnostics)

